

Ball valve 323

- Female thread 1/4" - 2"
- Built-in check valve



Description

Ball valve.

Construction

Ball valve in brass with built-in check valve. Connection female thread 1/2" - 2". Double gaskets in PTFE and check valve gasket in EPDM. T-handle for connection 1/2" - 3/4" in aluminium and larger dimensions have lever in aluminium.

Marking

DN, PN, flow direction arrow and company logotype.

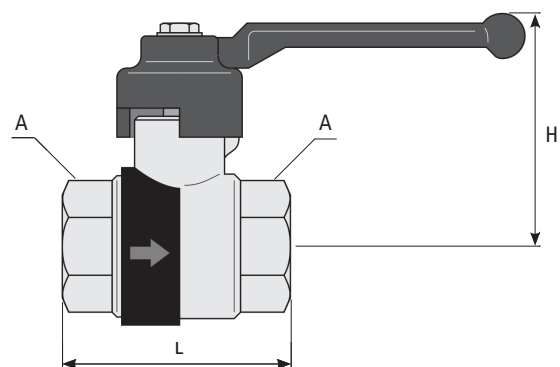
Maintenance

The ball valve must be operated periodically, two to three times a year.

Technical data

Body	Brass CW617N
Ball seal	PTFE
Stem gasket	PTFE
Check valve 1/2"	PA
Check valve 3/4"	POM
Check valve 1", 1 1/4"	PSU
Check valve 1 1/2", 2"	Chrome plated brass CW617N
Check valve gasket	EPDM

Maximum working pressure: 16 bar
 Maximum working temperature: +90°C
 Minimum working temperature: +5°C
 Media water - glycol mixture max 30%.
 Kv-value: see chart



Item number	Description	Connection thread A	Length L	Centrum height H	Kv (m ³ /h)	Weight (kg per piece)
0432315000	Ball valve 323-15, 1/2" F, handle, check valve	1/2" F	51	50,5	4,2	0,28
0432320000	Ball valve 323-20, 3/4" F, handle, check valve	3/4" F	57	52,5	7	0,37
0432325000	Ball valve 323-25, 1" F, handle, check valve	1" F	70	61,5	10	0,55
0432332000	Ball valve 323-32, 1 1/4" F, handle, check valve	1 1/4" F	83	65,5	18	1,01
0432340000	Ball valve 323-40, 1 1/2" F, handle, check valve	1 1/2" F	89	80	29	1,6
0432350000	Ball valve 323-50, 2" F, handle, check valve	2" F	110	89	43	2,8

All dimensions in millimetres

Subject to technical changes and corrections without notice